

IDT C2000

Portable filtration unit

FEATURES

- Compact
- Portable
- Easily adapted for permanent installation
- Plugs in 110/120 outlet
- Variety of filter options available

TYPICAL USES

- Construction environments
- Pharmaceutical
- Computer centers
- Electronic industries
- Lithography
- Food processing
- Film processing
- Schools and universities
- Hospitals
- Laboratories
- Commercial buildings
- Industrial plants
- Shopping centers
- High-rise apartments
- Safety industries



PORTABLE AIR FILTRATION UNITS

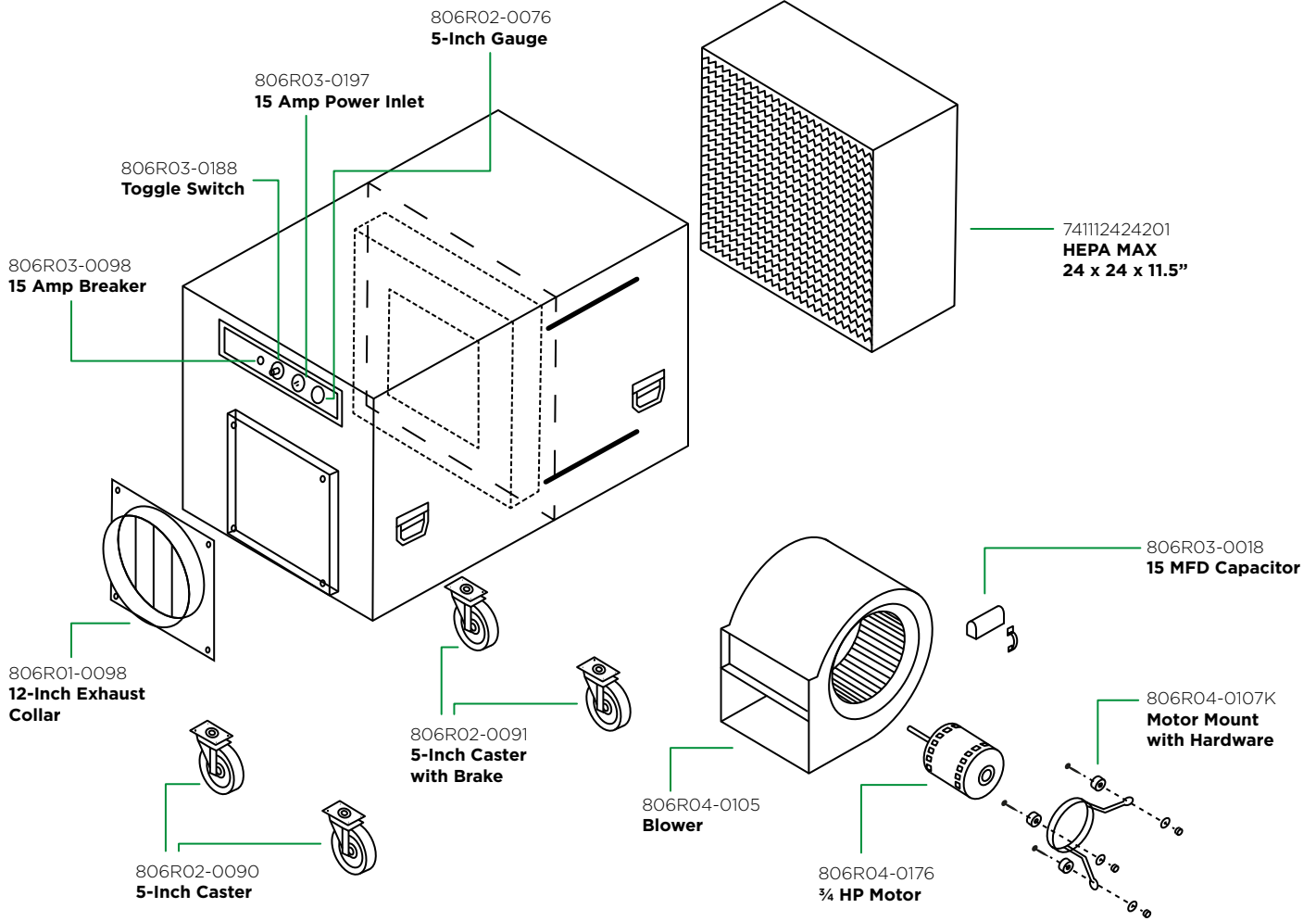
IDT C2000 was developed to handle the rigorous demands of micro-decontamination operations where reliable, high volume air filtration is essential to safety and productivity.

SPECIFICATIONS

	IDT C2000
HEPA efficiency	99.97% @ 0.3 micron
Air flow	2000 & 1600 CFM
Speed control	2-speed
Power requirements	115/1/60
Amps	15
Dimensions (H x W x L)	35" x 26" x 33"
Housing	Painted steel or stainless steel
Prefilter size	25" x 25"
HEPA size	24" x 24" x 11½"
Weight	165 lbs
Shipping weight	217 lbs

IDT C2000

Parts & Construction



LOCAL REPRESENTATIVE

Tri-Dim Filter Corporation is committed to continual product development - all descriptions, specifications and performance data are subject to change without notice. Tri-Dim products are manufactured to exacting criteria - there can be a ±5% variance in filter performance.